

Alfa-V ACV/ANV

Industrial condensers V-type

General information & application

The Alfa-V series is a wide range of heavy duty V-type condensers for air conditioning and refrigeration applications. Alfa-V air-cooled condensers provide high capacities at a modest footprint.

Refrigerants	HFC (ACV) or ammonia (ANV)
Capacities HFC*	115 up to 1850 kW
Capacities NH ₃ *	97 up to 1890 kW

* Nominal capacities (T_{air} = 25°C, T_{cond} = 40°C, T_{subcool} < 3K, T_{superheating} = 25K).

Coil

An innovative coil design provides excellent heat transfer at minimal refrigerant charge. Depending on the application, condensers are fitted with cross-fin copper (ACV) or smooth stainless steel tubing (ANV). Fins in aluminium or sea water resistant ALMg, plain fin design for easy cleaning and long-lasting performance. Separate connections provide the opportunity for independent operation of both condenser coils.

Casing

Frame construction provides high rigidity for protection against vibration and thermal expansion. Casing, supports and frame made of corrosion resistant galvanized steel (class C4-H). Separated fan sections and removable fan rings.

Fan motors

ErP compliant fan AC & EC motors, available in three fan diameters (800, 910 & 1000 mm) and different noise levels. Motors with external rotor, protection class IP54 according to DIN 40050.

AC power supplies 400/50/3, 400/60/3 and 460/60/3 with integrated thermo contacts to provide reliable protection against thermal overload. EC power supply 380-480/50-60/3.



Alfa-V ACV

Design pressure

Design pressure 33 bar (ACV) or 30 bar (ANV). Each heat exchanger is leak tested with dry air and finally supplied with a nitrogen pre-charge.

Benefits

- Heavy duty design with high corrosion resistance.
- Favorable capacity/footprint ratio.
- Available with easily cleanable industrial fins.
- Excellent sound characteristics.
- Reliable performance.
- Easy installation & maintenance.
- Energy efficient - low total cost of ownership.
- Two-year product guarantee.
- Easy access to additional on-line product information (QR code).



Alfa-V ACV

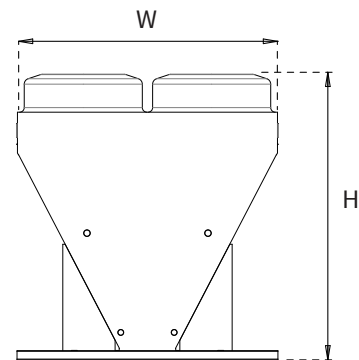
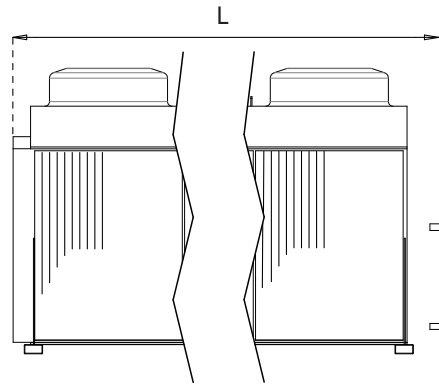


Alfa-V ANV

Options

- Sub-cooling circuit (SC)
- Fin spacing up to 3.0 mm
- Coil corrosion protection
 - Epoxy coated aluminium fins (EP)
 - F-coat (FC)
 - Seawater resistant aluminium AlMg (SWR)
- Coil protection grid (GR)
- Spray Water kit (KW)
- Water Spray System including pumping station (SWS)
- Casing coated RAL 9002
- Container skid (SK)
- Vibration dampers (VD)
- Special fan motors
 - Protection class IP55
 - High-temperature motors
- Electrical accessories
 - Isolating switch (SW)
 - EC Motors wired to a common terminal box (CBP=connection box, CBMP=connection box and master controller+pressure signal)
 - Switchboard IP54 (BS)
 - AC Fan step control cabinet (BSP)
 - EC fan speed control cabinet (ICM)
 - Basic EC switchboard panel (ECCB)

Nr. of fan pairs	Dimensions mm		
	L	H	W
2	2940	2500	2230
3	4250	2500	2230
4	5560	2500	2230
5	6870	2500	2230
6	8190	2500	2230
7	9490	2500	2230
8	10800	2500	2230
9	12100	2500	2230



Code description

ACV	SE	80	3	.1	B	D	SK	C4	*	-	AL	2.1	CU	*
1	2	3	4	5	6	7	8	9	10		11	12	13	14

- Alfa-V condenser (ACV=HFC, ANV=ammonia)
- Sound level/fan code (T=turbo, S-standard, L=low, Q=quiet, R=residential, E=EC fan motor)
- Fan diameter (80=800 mm, 90=910, 100=1000 mm)
- Number of fan pairs (2 to 9)
- Alfa-V series II
- Tube rows code (A, B, C, D)
- Fan motor connection (D=delta, Y=star)
- Packing (SK=container skid)
- Case material
- Electrical accessories
- Fin material/coating (AL=aluminium, IF=industrial fins, SWR=AlMg, EP=epoxy coated aluminium, FC=F-coat)
- Fin spacing (2.0, 2.1, 2.3, 2.5, 3.0 mm)
- Tube material (CU=copper, SS=stainless steel)
- Options

Selection

Selection and pricing is to be performed with our Alfa LU-VE air heat exchanger selection software. Selection output includes all relevant technical data and dimensional drawings.

Certifications

All Alfa-V ACV condenser models are "Eurovent Certify All" certified. The Alfa LU-VE quality system is in accordance with ISO 9001 and ISO 14001. All products are manufactured according to PED regulations.



AHE00015EN 2101

Alfa LU-VE is a trademark registered and owned by LU-VE Group. Alfa LU-VE reserves the right to change specifications without prior notification.

How to contact Alfa LU-VE

Up-to-date Alfa LU-VE contact details for all countries are always available on our website at alfa.luvegroup.com