

Optigo



Benefits

- Designed for safe operation with A2L refrigerants
- Compact size for efficient use of cold room space
- Energy efficient EC fans
- Easy installation & maintenance
- Two-year product guarantee
- Easy access to on-line product information

General information & application

Optigo SFMD are commercial dual discharge air coolers suitable for the safe use of ASHRAE A2L refrigerants.

A2L refrigerants have a minimal impact on global warming and they will bring maximum energy efficiency. So today, they are the best technological solution for air conditioning and refrigeration applications, outside the natural refrigerants.

General application for Optigo SFMD are in small to medium-sized cooling rooms.

Refrigerants	A1, A2L
Capacity (SC2 with R404)	1.47 up to 14.57 kW
Air inlet temperature	- 25 °C up to + 30 °C
Fluid inlet temperature	- 40 °C up to + 20 °C

Design pressure

Design pressure: 24 bar. Each heat exchanger is leak tested with dry air and finally supplied with a dry air pre-charge.

Coil

High-efficiency coil manufactured from internally grooved Cu tubes and louvered aluminium fins. Standard fin spacing: 3, 4.5 and 7 mm.

Casing

Durable aluminium alloy metallic casing, epoxy coated RAL 9003. Dismountable and openable casing for cleaning and inspecting purposes. Hinged driptray. Vertical plastic drain connection.

Fan motors

Optigo SFMD coolers are available with 1 to 4 fans fitted with EC motors available in two fan speeds (noise levels):

- H = High Speed (1100 RPM)
- L = Low Speed (900 RPM)

Power supply 230/50-60/1.
Integrated thermo contacts.

Fan motors are wired to a central connection box.

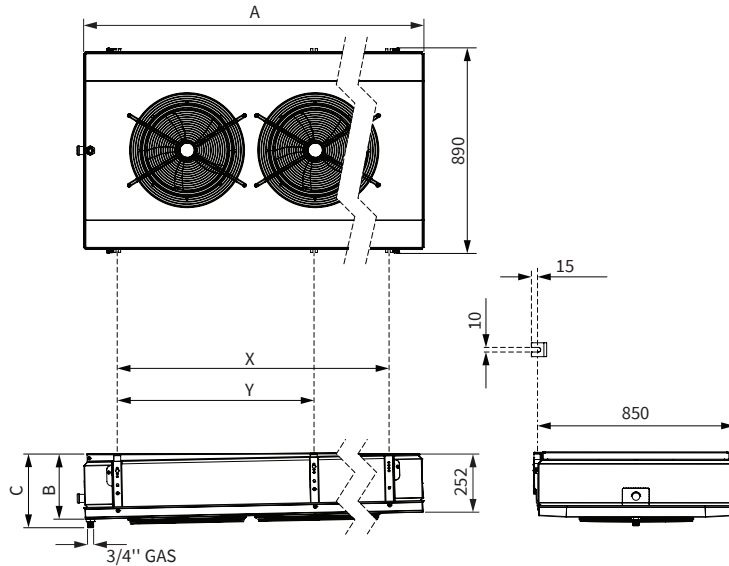


Optigo SFMD



Optigo SFMD

Commercial dual discharge air coolers for A2L refrigerants



Dimensions

Casing type	Dimensions (mm)				
	A	B	C	X	Y
1	892	269	307	596	-
2	1447	281	319	1151	-
3	2002	293	331	1706	853
4	2557	293	331	2261	1130

Certifications

The Alfa LU-VE quality system is in accordance with ISO 9001. All products are manufactured according to PED regulations.

The Optigo SFMD series machines use the same heat exchange components as the corresponding Optigo FMD series models and provide the same performance. The Optigo SFMD series machines can work with HFC category A1 refrigerants.

LU-VE Group participates in the ECP program for HE. Check ongoing validity of certificate: www.eurovent-certification.com

Options

- Coil corrosion protection: Alupaint (AP)
- Drip tray heater (HD)
- Drip tray insulation (IS)

Selection

Selection and pricing is to be performed with our online air heat exchanger selection software [Plair](#). Selection output includes all relevant technical data and dimensional drawings.

Code description

SF27MD	-	2	2	1	3	-	N	-	BP	-	AL	CU	-	*
1		2	3	4	5	6	7	8	9	10				

- 1 Optigo SFMD A2L safety compliant commercial dual discharge air cooler
- 2 Casing type (1 to 4)
- 3 Number of fans (1 to 4)
- 4 Coil type (1, 2)
Fin spacing (3=3.0, 4=4.5, 7=7.0 mm)
- 5 Defrost system (N=air defrost, E=electric defrost)
- 6 Packing (BP=box + pallet, CR=crate)
- 7 Fin material (AL=aluminium, AP=pre-painted aluminium)
- 8 Tube material (CU=copper)
- 9 Options

31563912EN-00

Alfa LU-VE is a trademark registered and owned by LU-VE Group. Alfa LU-VE reserves the right to change specifications without prior notification.

